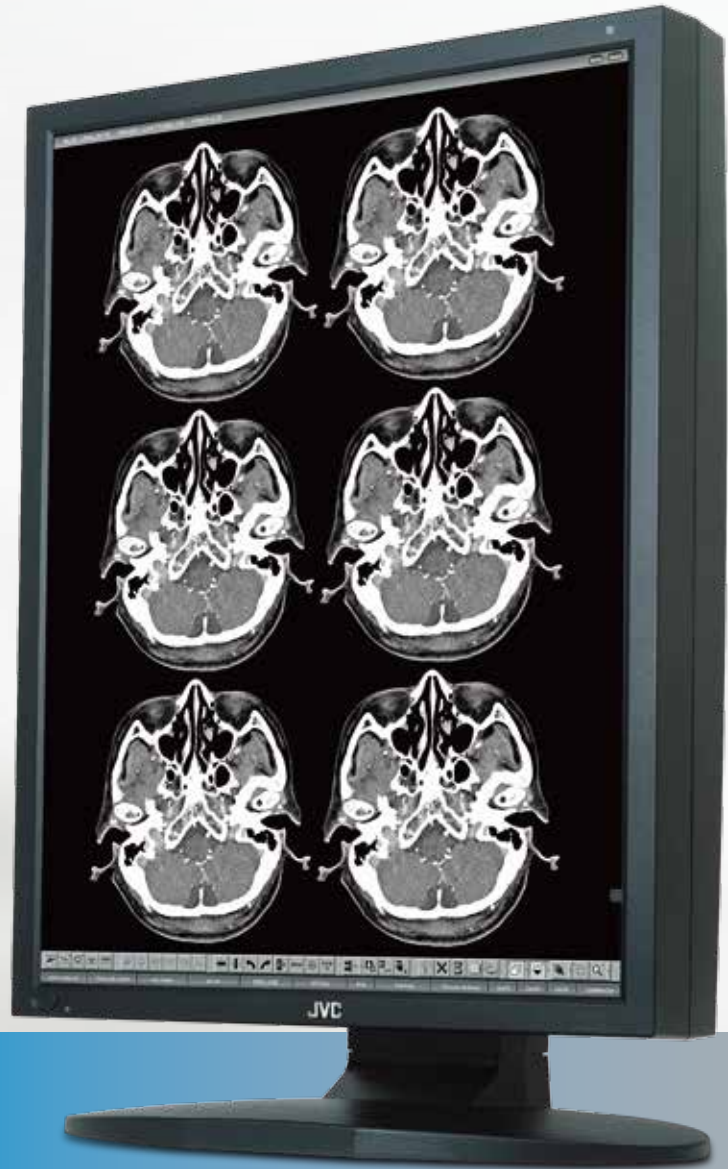




2 Megapixel 21.3" Monochrome Monitor

MS 25 i2



2 Megapixel Monochrome Monitor

High Luminance and High Contrast
2MP Monochrome Monitor
for diagnostic imaging

21.3"

1900
cd/m²

1400:1

16Bit
LUT

DisplayPort
&
DVI-D

Calibration
Function

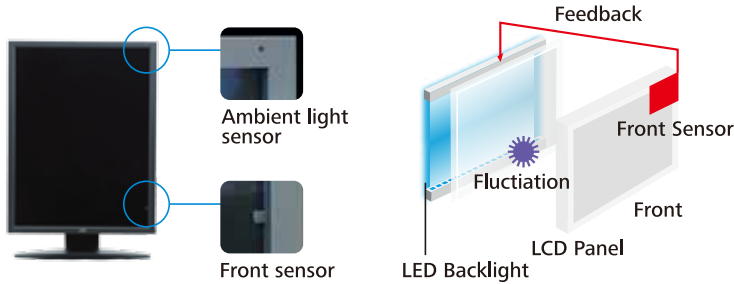
Color/
Monochrome
Conversion

Uniformity
Equalizer

LED
Backlight

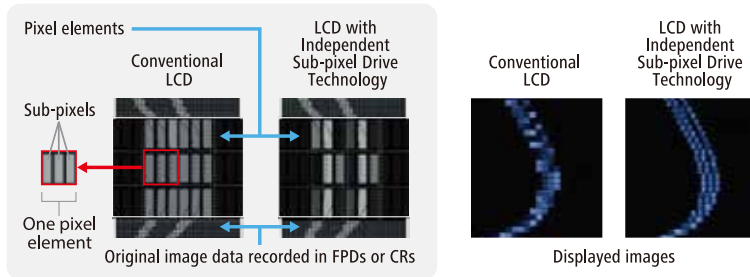
Luminance Stabilizing System λ-Sentinel

With two built-in sensors for luminance stabilization and ambient light measurement, MS25i2 consistently delivers unmatched image quality.



Independent Sub-pixel Drive Technology

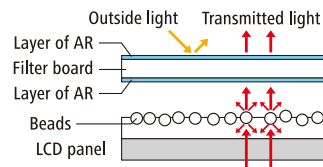
This unique technology enables the MS25i2 to render 6 mega sub-pixel images, exceeding the current standards for primary diagnosis. This will be a cost effective way of enhancing the ability of the 2MP display. (Patent No.8,259,034B2)



*Customized viewer is required
*Independent Sub pixel Drive technology is built in MS series only

Front Protective Filter

*MS25i2/F only
The front filter protects the LCD surface against damage and prevents contamination. It comes with anti-refractive coating to improve focus, noise reduction and contrast.



Uniformity Equalizer

Luminance uniformity correction system produces stable images across the screen.

DICOM Conformance Check

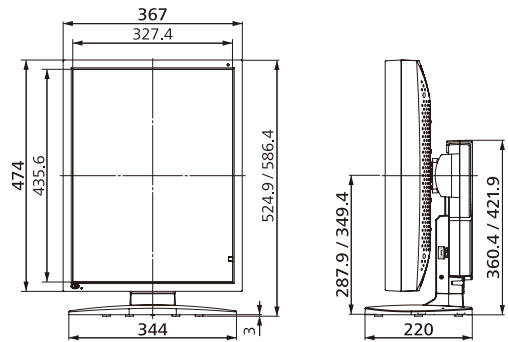
User friendly OSD functions include DICOM conformance check function.

●“JVC” is a brand of medical and industrial monitors manufactured and sold by JVCKENWOOD Corporation. ●Company names and product names are the registered trademarks of the respective companies. ●Product specifications and appearance are subject to change without notice. ●Colors in photographs may differ from actual colors due to the printing process. ●Images on screens are simulated.

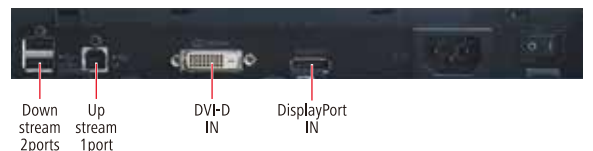
Specifications

Model Name	MS25i2/AR : AR Coating MS25i2/F : Protective Filter MS25i2/N : No AR Coating or Protective Filter	
LCD Panel	Technology	21.3" monochrome TFT IPS technology
	Display Area	324 mm × 432 mm
	Pixel Pitch	0.270 mm × 0.270 mm
	Contrast Ratio	1400 : 1 (typ.)
	Maximum Luminance	1900 cd/m ² (typ.), 410 cd/m ² (calibrated)
Visual Performance	Viewing Angle	176° vertical and horizontal
	Native Resolution	1200 × 1600 (Independent Sub-pixel Drive technology ON : 1200 × 4800)
Interface	Input Signal	DVI-D (DVI 1.0 compliant) DisplayPort (DisplayPort 1.1a compliant)
	Plug and Play	DDC2B compliant
Input Power Supply	Input Power Supply	100 V - 240 V 50 / 60 Hz
	Maximum Power Consumption	60 W (typ.)
Features	Calibration Control	Luminance, Gamma Capable of storing 3 sets of LUT (Optional Calibration kit is required)
	OSD Information Display	Model name, Serial No., Total operating time, Calibration settings (Operating time since last calibration, Luminance, Gamma), Current luminance and Ambient light, DICOM conformance
	USB Hub	USB Rev.2.0 compliant, Self-powered USB upstream connector (×1), USB downstream connector (×2)
	Other Features	Uniformity Equalizer, Hardware pivot, LED indicator, Advanced power management, λ-Sentinel, Multiple LUT, Independent Sub-pixel Drive technology, Self DICOM check
Approvals	ANSI/AAMI ES60601-1 (2005) + A1 (2012), CAN/CSA-C22.2 No. 60601-1 (2014), CE (EN60601-1, EN60601-1-2), RCM, FCC Part15 subpart B Class B, ICES-003-B, VCCI-B, FDA510(k), J-Moss, RoHS	
Physical Characteristics	Dimensions (W × H × D)	Landscape : 474 mm × 471.4 / 532.9 mm × 220 mm Portrait : 367 mm × 524.9 / 586.4 mm × 220 mm
	Weight	approx. 12 kg
	Tilt Stand	Tilt, Swivel, Portrait / Landscap
	Mount	VESA standard (100 mm × 100 mm)
Security Slot	Anti-theft security slots (display and tilt stand)	
Accessories	Power cord, DVI cable, DisplayPort cable, USB cable, User manual, Cleaning kit* *AR Coating model only	

Dimensions (mm)



Interface



Safety Precautions

- Please read the user's manual for safe and proper use.
- Do not expose the product to dust, moisture, steam, or oily smoke. It could cause fire, electric shock, or a failure.

Healthcare Business Division
JVCKENWOOD Corporation
3-12, Moriya-cho, Kanagawa-ku, Yokohama-shi, Kanagawa, 221-0022, JAPAN
TEL: +81-45-450-1908 FAX: +81-45-450-1926
E mail : medical-display.j@jvckenwood.com
JVC Healthcare Website : <http://healthcare.jvc.com/>

Please contact our distributor below with inquiries and orders.